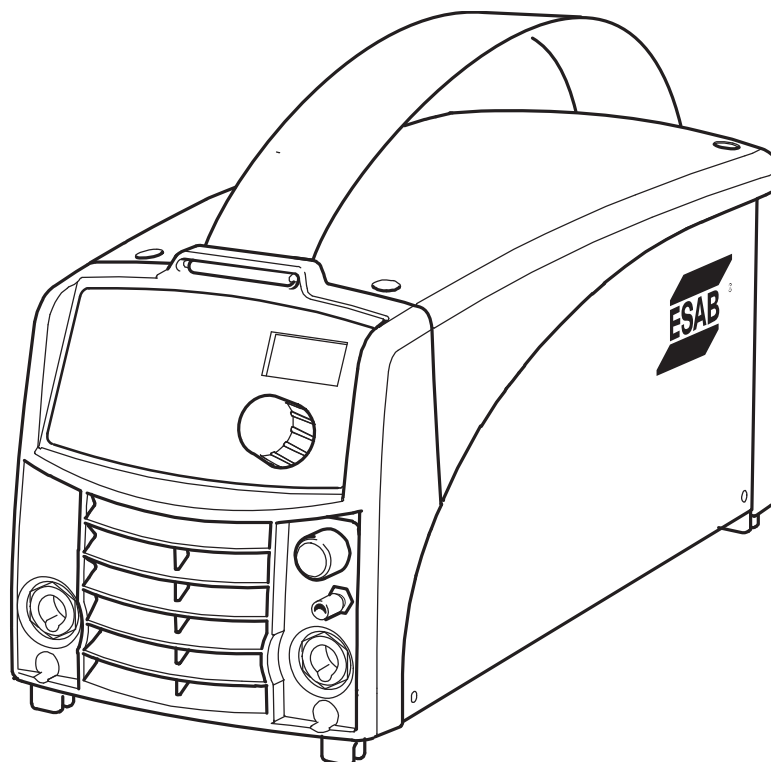


Spare parts list

Edition 20130412



Valid for serial no. 803-xxx-xxxx,828-xxx-xxxx,843-xxx-xxxx

Ordering no.	Product	Notes
0460 450 880	Caddy [®] Tig 1500i, TA33	230 V 50/60 Hz with MMA-kit and TXH 151
0460 450 480	Caddy [®] Tig 1500i, TA33	230 V 50/60 Hz with MMA-kit and TXH 151, US version
0460 450 882	Caddy [®] Tig 1500i, TA34	230 V 50/60 Hz with MMA-kit and TXH 151
0460 450 482	Caddy [®] Tig 1500i, TA34	230 V 50/60 Hz with MMA-kit and TXH 151, US version
0460 450 890	Caddy [®] Tig 1500i, TA33	230 V 50/60 Hz with return cable and gas hose
0460 450 892	Caddy [®] Tig 1500i, TA34	230 V 50/60 Hz with return cable and gas hose
0460 450 870	Caddy [®] Tig 1500i, TA33 Australian version	230 V 50/60 Hz with MMA-kit and TXH 151

Spare parts are to be ordered through the nearest ESAB agency. Kindly indicate type of unit, serial number, denominations and ordering numbers according to the spare parts list.

Maintenance and repair work should be performed by an experienced person, and electrical work only by a trained electrician. Use only recommended spare parts.

Rights reserved to alter specifications without notice.

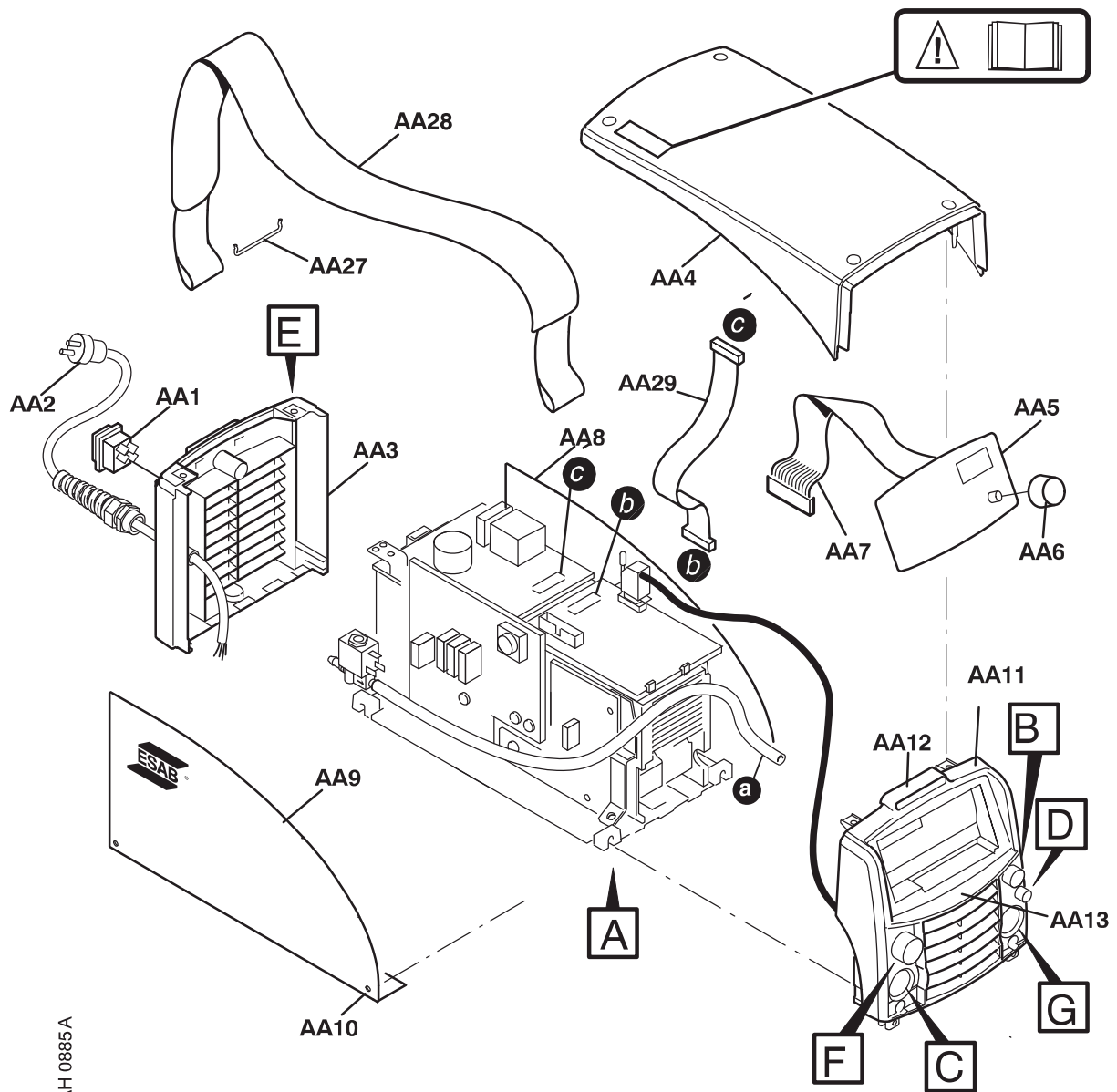
C = component designation in the circuit diagram

Item	Qty	Ordering no.	Denomination	Notes	C	
AA1	1	0193 317 001	Switch	Included in item AA50	2QF1	
AA2	1	-	Cord set	Included in item AA50		
AA3	1	0460 140 001	Rear panel			
AA4	1	0460 143 001	Cover			
AA5	1	0460 250 882	MMC Module TA34	Control panel Including Insulation stnticker, AA6 and AA7		
	1	0460 250 886	MMC Module TA33	Control panel Including Insulation stnticker, AA6 and AA7		
	1	0460 420 001	Insulation sticker	Included in AA5		
AA6	1	0460 600 528	Knob	Included in AA5		
AA7	1	0193 700 711	Ribbon cable with connectors	34 pole, included in AA5		1XS1, 1XS2
AA8	1	0460 479 002	Side panel	right		
AA9	1	0460 479 001	Side panel	left		
AA10		0194 179 327	Screw MRT	ground cutter, M5x12		
AA11	1	-	Front panel	Included in item AA51		
AA12	1	0459 184 005	Sticker	ESAB		
AA13	1	0460 221 005	Sticker	Tig 1500i		
AA14	5	0366 588 001	Nut			
AA15	1	-	Socket	2 pole included in item AA52	29XS4	
AA16	1	0457 626 001	Protection cap			
AA17	1	0460 427 001	Bar plus			
AA18	1	-	Nut	Included in item AA51, M8		
AA19	1	0459 269 002	Gas connection	Included in item AA51		
AA20	6	0469 381 002	Fast lock nut	M5		
AA21	1	0194 227 003	Clamp	Only TA34 Included in AA51		
AA22	1	0458 681 897	Cable with connectors	Only TA34 Included in AA51		20XS25, 20XP1
AA23	1	0366 285 001	Protection cap	Only TA34 Included in AA51		
AA24	2	0366 247 001	Nut	Included in AA51		
AA25	2	0366 306 003	Spring washer	Ø21/15x1 Included in AA51		
AA26	2	0160 362 025	Connector OKC 50	Included in item AA51	XS1, XS2	
AA27	1	0460 265 001	Strap			
AA28	2	0468 497 001	Holder			
AA29	1	0193 700 702	Ribbon cable			

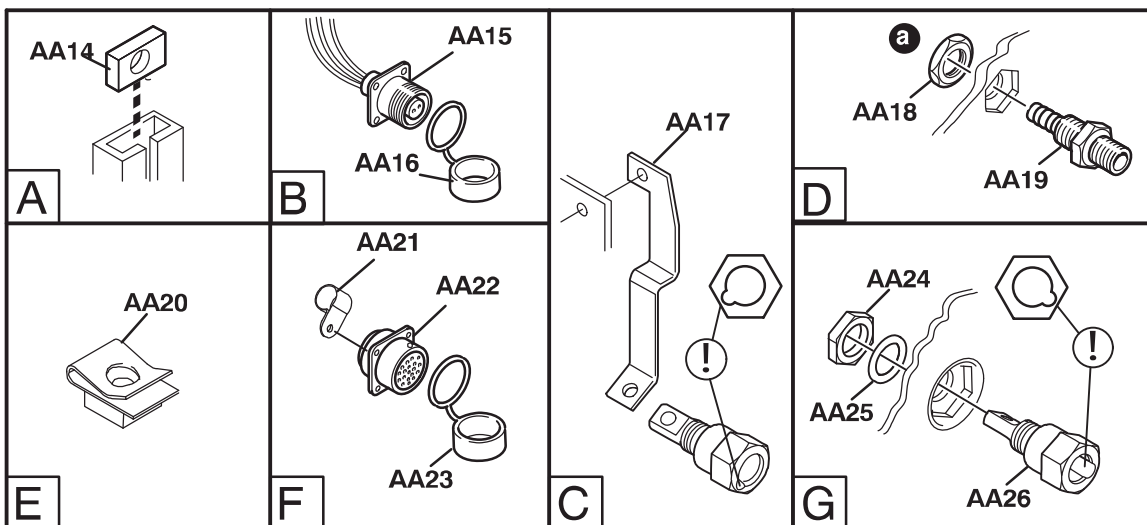
SPARE PARTS SETS

Item	Qty TA33	Qty TA34	Ordering no.	Denomination	Notes
AA50	1	1	0460 601 881	Mains module	Includes items: AA1 switch, AA2 mains cable with plug, cable clamp and one ferrite rings 2L1.
	1		0460 379 884	Mains module	Includes items: AA1 switch, AA2 mains cable with plug, cable clamp and one ferrite rings 2L1. Australian version.
AA51		1	0460 379 881	Front complete	Includes items: AA11, AA15, AA16, AA18, AA19, AA21, AA22, AA23, AA24, AA25, AA26
AA51	1		0460 379 882	Front complete	Includes items: AA11, AA15, AA16, AA18, AA19, AA24, AA25, AA26
AA52			0459 280 892	Cable set	Including item AA15, 2 pole socket 29XS4, 5 pole socket 29XS6, and the wires between them.

Tig 1500i



AH 0885A



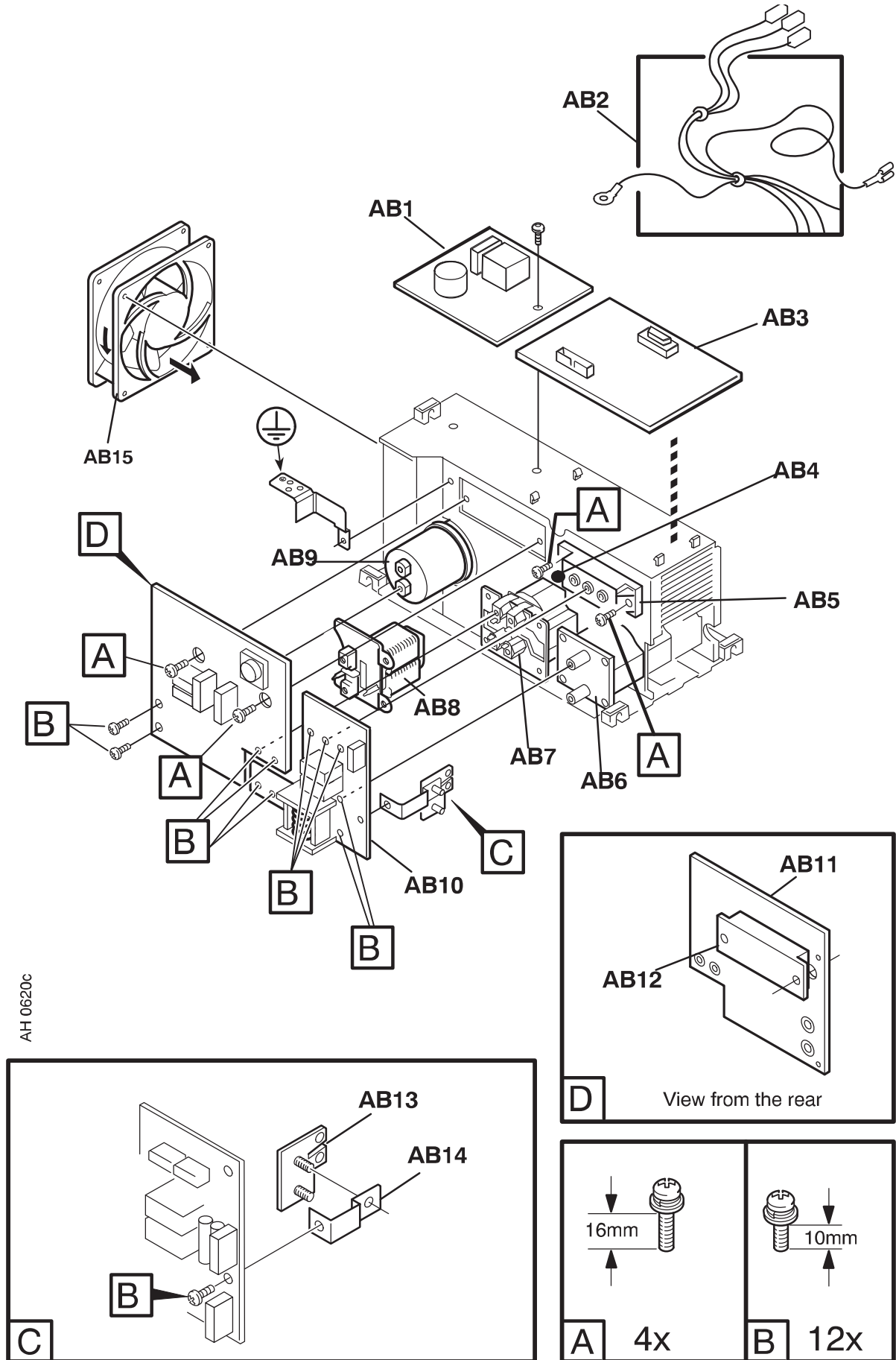
Tig 1500i

C = component designation in the circuit diagram

Item	Qty TA33	Qty TA34	Ordering no.	Denomination	Notes	C
AB1	1	1	0487 631 880	Power supply board	Replaces 0487 064 884	2AP1
AB2	1	1	0193 700 702	Ribbon cable with connectors	10 pole	20XS3, 20XS4
AB3	1	-	0487 599 884	Control board	Configured for Tig 1500i TA33	20AP1
	-	1	0487 344 883	Control board	Configured for Tig 1500i TA34	20AP1
AB4	1	1	0468 940 005	Thermal switch	Socket connector 15XS5 included	15ST2
AB5	1	1		Diode module	See item AB50	15D1
AB6	1	1	0459 177 001	Inductor		15L1
AB7	1	1	0459 355 881	Transformer	Includes: main transformer, sockets 15XS4, 15XS6, thermal switch 15ST1	15TM1
AB8	1	1	0460 117 001	Inductor	PFC	15L2
AB9	1	1	0194 158 003	Capacitor	1000 uF 450 V DC	15C1
AB10	1	1	0487 060 880	Secondary board		15AP2
AB11	1	1		Circuit board	See item AB51	15AP1
AB12	1	1		Semiconductor module	See item AB51	
AB13	1	1	0468 030 880	Shunt		15RS1
AB14	1	1	0459 194 001	Busbar		
AB15	1	1	0467 801 002	Fan	24 V DC; With cables and socket 15XS3	15EV1

SPARE PARTS SETS

Item	Qty	Ordering no.	Denomination	Notes
AB50	1	0459 385 881	Diode module kit	Includes: item AB5 diode module, screws (type A and B), thermal compound and roller.
AB51	1	0459 384 887	Power board kit	Includes: item AB11 power board, item AB12 semiconductor module, screws (type A and B), thermal compound and roller.
-		0458 910 002	Roller handle	For the roller in the spare parts sets above
-		0192 058 101	Thermal compound	



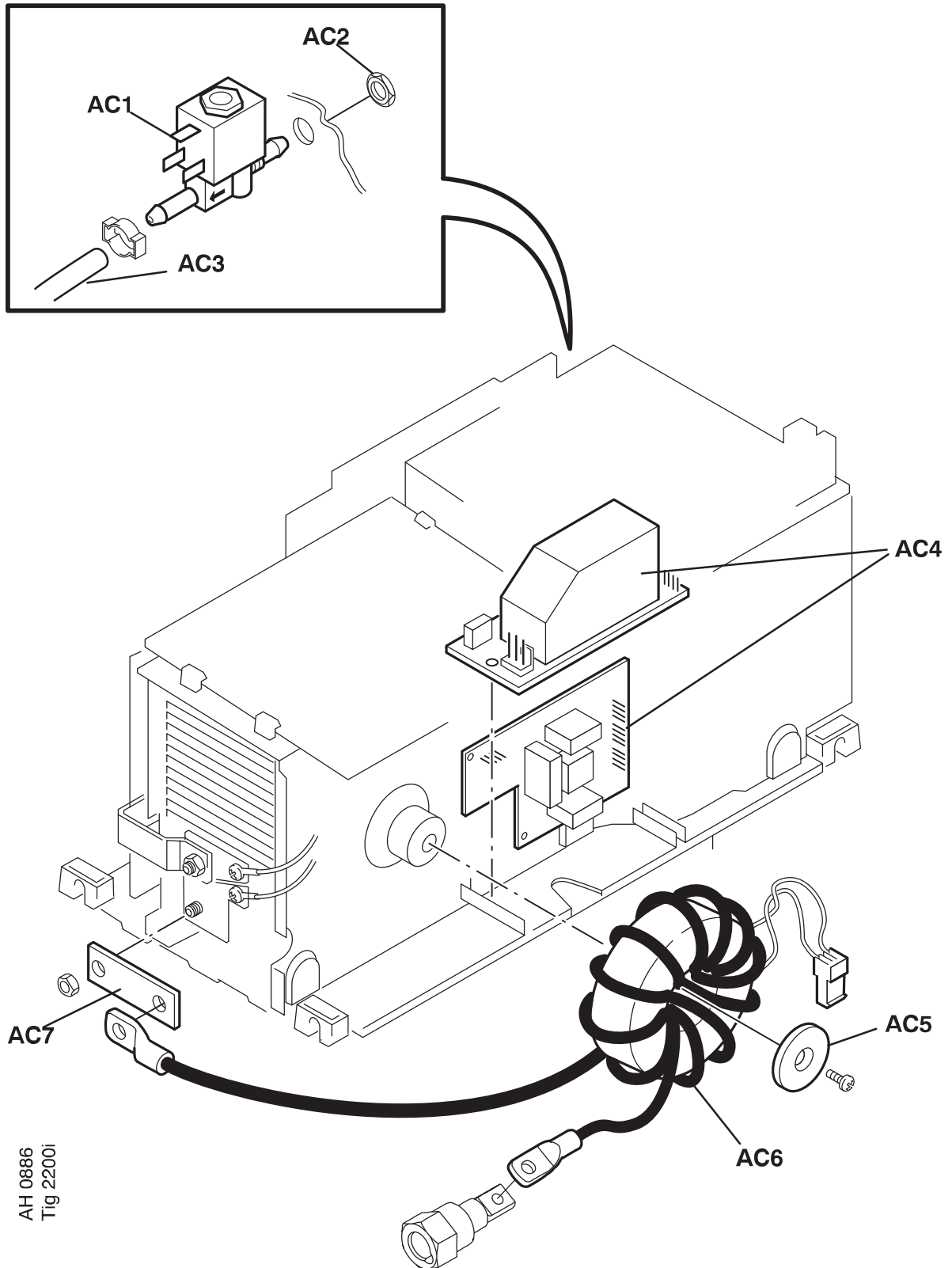
AH 0620C

Tig 1500i

C = component designation in the circuit diagram

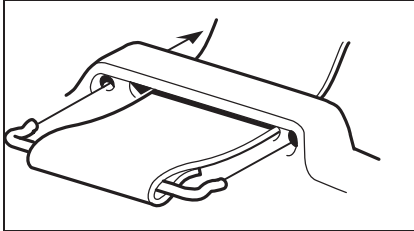
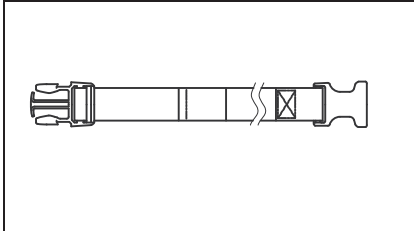
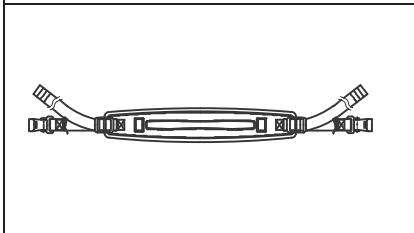
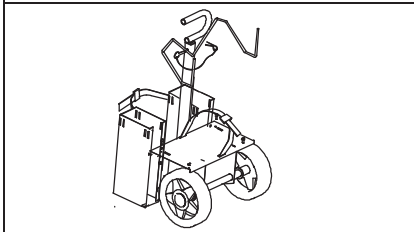

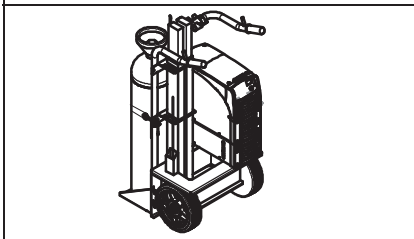
Item	Qty	Ordering no.	Denomination	Notes	C
AC1	1	0193 054 005	Solenoid valve	230 V AC	10YV1
AC2	1		Nut	ML6M MF10x1	
AC3	1	0456 496 001	Hose	D = 9/5 mm, L = 0.57 metre reinforced PVC	
AC4	1	0487 028 880	Circuit board TIG		10AP1
AC5	1	0459 258 001	Coil bracket		
AC6	1	0460 135 001	HF coil		10TV1, 10XS1
AC7	1	0460 427 002	Bar	Negative	

Tig 1500i

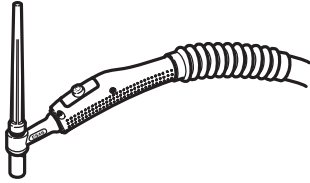
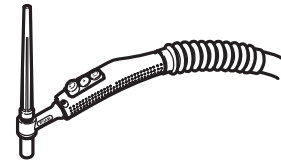







AH 0886
Tig 2200i

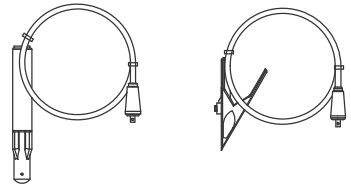
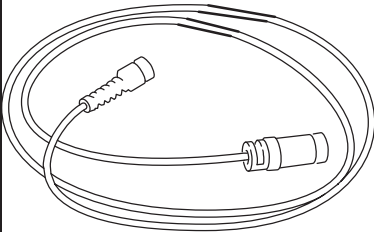

Accessories

	<p>Strap 0460 265 001</p>
	<p>Cable holder 0460 265 002</p>
	<p>Shoulder strap 0460 265 003</p>
	<p>Trolley for 5-10 litre gasbottle 0459 366 885</p>
	<p>Trolley for 20-50 litre gasbottle 0459 366 887</p>
	<p>Trolley for 20-50 litre gasbottle 0460 330 880</p>

Tig 1500i

	<p>Tig torch TXH 151 4 m 0700 300 538 TXH 151 8 m 0700 300 544</p>
	<p>Tig torch TXH 151r 4 m 0700 300 624 TXH 151r 8 m 0700 300 626</p>
	<p>Remote control adapter RA12 12 pole 0459 491 910 For analogue remote controls to CAN based equipment. Only with panel TA34</p>
	<p>Remote control unit MTA1 CAN 0459 491 880 MIG/MAG: wire feed speed and voltage MMA: current and arc force TIG: current, pulse and background current Only with panel TA34</p>
	<p>Remote control unit M1 10Prog CAN 0459 491 882 Choice of on of 10 programs MIG/MAG: voltage deviation TIG and MMA: current deviation Only with panel TA34</p>
	<p>Remote control unit AT1 CAN 0459 491 883 MMA and TIG: current Only with panel TA34</p>
	<p>Remote control unit AT1 CF CAN 0459 491 884 MMA and TIG: rough and fine setting of current. Only with panel TA34</p>

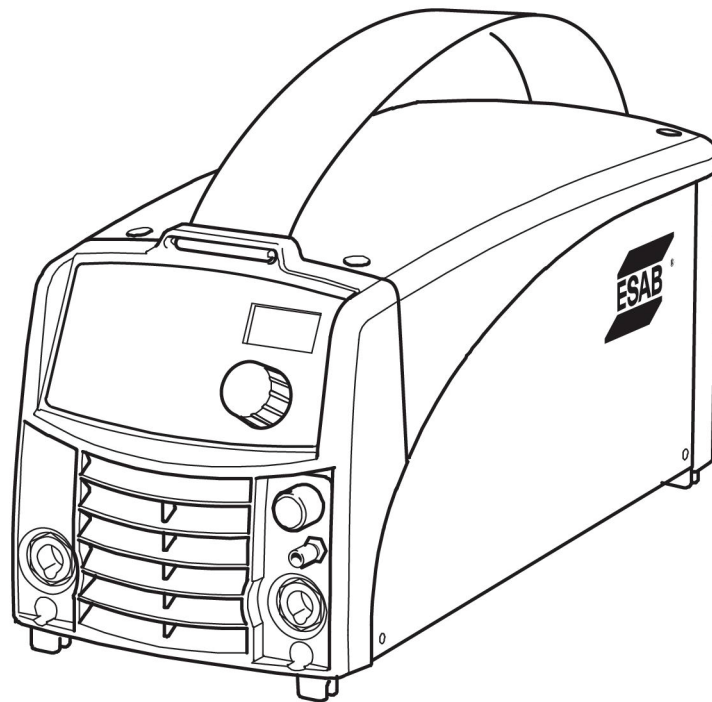
Tig 1500i

	<p>Welding cable kit 0700 006 884</p> <p>Return cable kit 0700 006 885</p>
	<p>Remote cable CAN 4 pole - 12 pole</p> <p>5 m 0459 544 880</p> <p>10 m 0459 554 881</p> <p>15 m 0459 554 882</p> <p>25 m 0459 554 883</p> <p>0.25 m 0459 554 884</p> <p>Only with panel TA34</p>
	<p>Foot pedal TI Foot CAN 0460 315 880</p> <p>Only with panel TA34</p>



Caddy®

Tig 2200i



Spare parts list

Ordering no.	Product
0460 450 881	Caddy® Tig 2200i, TA33 230 V 50/60 Hz incl. MMA-kit, TXH 201
0460 450 481	Caddy® Tig 2200i, TA33 230 V 50/60 Hz incl. MMA-kit, TXH 201, US version
0460 450 883	Caddy® Tig 2200i, TA34 230 V 50/60 Hz incl. MMA-kit, TXH 201
0460 450 483	Caddy® Tig 2200i, TA34 230 V 50/60 Hz incl. MMA-kit, TXH 201, US version
0460 450 884	Caddy® Tig 2200iw, TA33 230 V 50/60 Hz incl. MMA-kit, TXH 251, CoolMini
0460 450 484	Caddy® Tig 2200iw, TA33 230 V 50/60 Hz incl. MMA-kit, TXH 251, CoolMini, US version
0460 450 885	Caddy® Tig 2200iw, TA34 230 V 50/60 Hz incl. MMA-kit, TXH 251, CoolMini
0460 450 485	Caddy® Tig 2200iw, TA34 230 V 50/60 Hz incl. MMA-kit, TXH 251, CoolMini, US version
0460 450 891	Caddy® Tig 2200i, TA33 230 V 50/60 Hz incl. return cable, gas hose
0460 450 893	Caddy® Tig 2200i, TA34 230 V 50/60 Hz incl. return cable, gas hose
0460 450 894	Caddy® Tig 2200iw, TA33 230 V 50/60 Hz incl. return cable, gas hose, CoolMini
0460 450 895	Caddy® Tig 2200iw, TA34 230 V 50/60 Hz incl. return cable, gas hose, CoolMini
0460 450 871	Caddy® Tig 2200i, TA33 230 V 50/60 Hz incl. MMA-kit, TXH 201, Australian version
0460 450 873	Caddy® Tig 2200i, TA34 230 V 50/60 Hz incl. MMA-kit, TXH 201, Australian version

Spare parts are to be ordered through the nearest ESAB agency. Kindly indicate type of unit, serial number, denominations and ordering numbers according to the spare parts list.

Maintenance and repair work should be performed by an experienced person, and electrical work only by a trained electrician. Use only recommended spare parts.

TABLE OF CONTENTS

SPARE PARTS 4

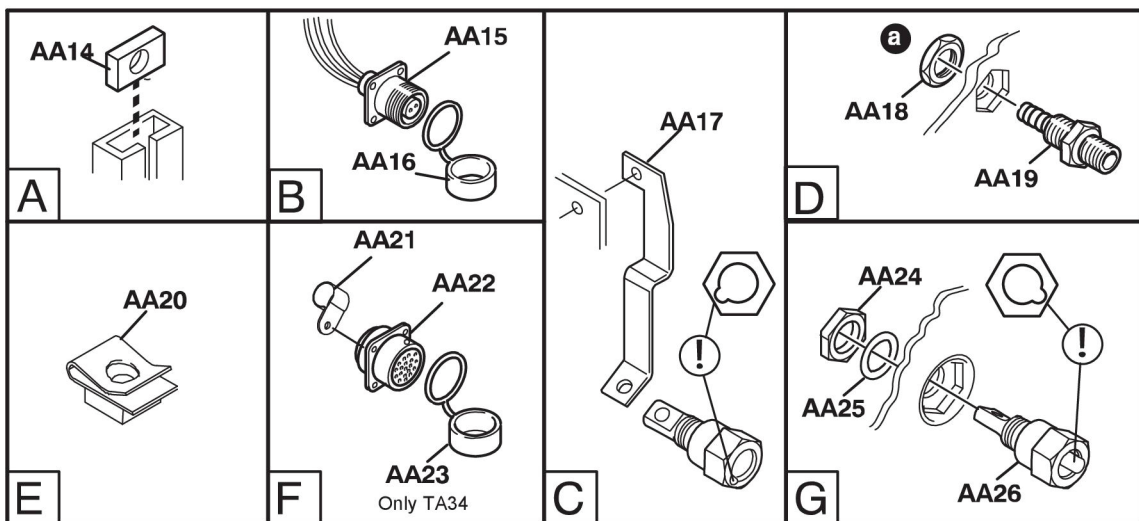
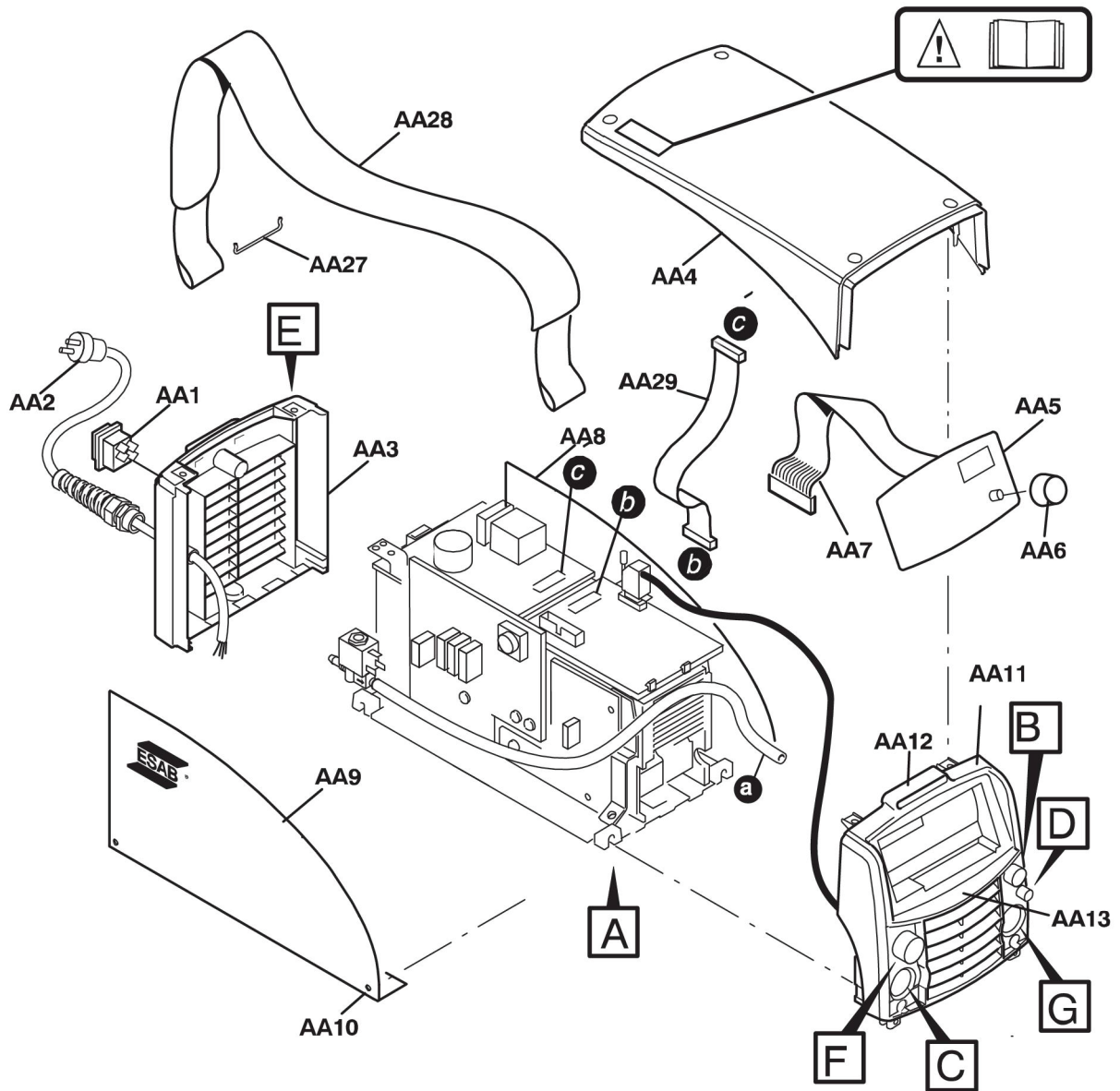
ACCESSORIES 14

Rights reserved to alter specifications without notice.

SPARE PARTS

C = component designation in the circuit diagram

Item	Qty	Ordering no.	Denomination	Notes	C
AA1	1	0193 317 001	Switch	Included in item AA50	2QF1
AA2	1	-	Cord set	Included in item AA50	
AA3	1	0460 140 001	Rear panel		
AA4	1	0460 143 001	Cover		
AA5	1	0460 250 882	MMC Module TA34	Control panel Including Insulation sticker, Knob (AA6) and Ribbon cable (AA7)	
	1	0460 250 886	MMC Module TA33	Control panel Including Insulation sticker, Knob (AA6) and Ribbon cable (AA7)	
	1	0460 420 001	Insulation sticker	Included in AA5	
AA6	1	0460 600 528	Knob	Included in AA5	
AA7	1	0193 700 711	Ribbon cable with connectors	34 pole, included in AA5	1XS1 1XS2
AA8	1	0460 479 002	Side panel	right, without cooler	
	1	0460 155 002	Side panel	right for Tig 2200iw, with cooler	
AA9	1	0460 479 001	Side panel	left, without cooler	
	1	0460 155 004	Side panel	left for Tig 2200iw, with cooler	
AA10	1	0194 179 327	Screw MRT	ground cutter, M5x12	
AA11	1	-	Front panel	Included in item AA51	
AA12	1	0459 184 005	Sticker	ESAB	
AA13	1	0460 221 006	Sticker	Tig 2200i	
AA14	5	0366 588 001	Nut		
AA15	1	-	Socket	2 pole Included in item AA51 and AA52	29XS4
AA16	1	0457 626 001	Protection cap	Included in item AA51	
AA17	1	0460 427 001	Bar plus		
AA18	1	-	Nut	Included in item AA51, M8	
AA19	1	0459 269 002	Gas connection	Included in item AA51	
AA20	6	0469 381 002	Fast lock nut	M5	
AA21	1	0194 227 003	Clamp	Only TA34 Included in item AA51	
AA22	1	0458 681 897	Cable with connectors	Only TA34 Included in item AA51	20XS25 20XP1
AA23	1	0366 285 001	Protection cap	Only TA34 Included in item AA51	
AA24	2	0366 247 001	Nut	Included in item AA51	
AA25	2	0366 306 003	Spring washer	Ø21 / 15x1 Included in item AA51	

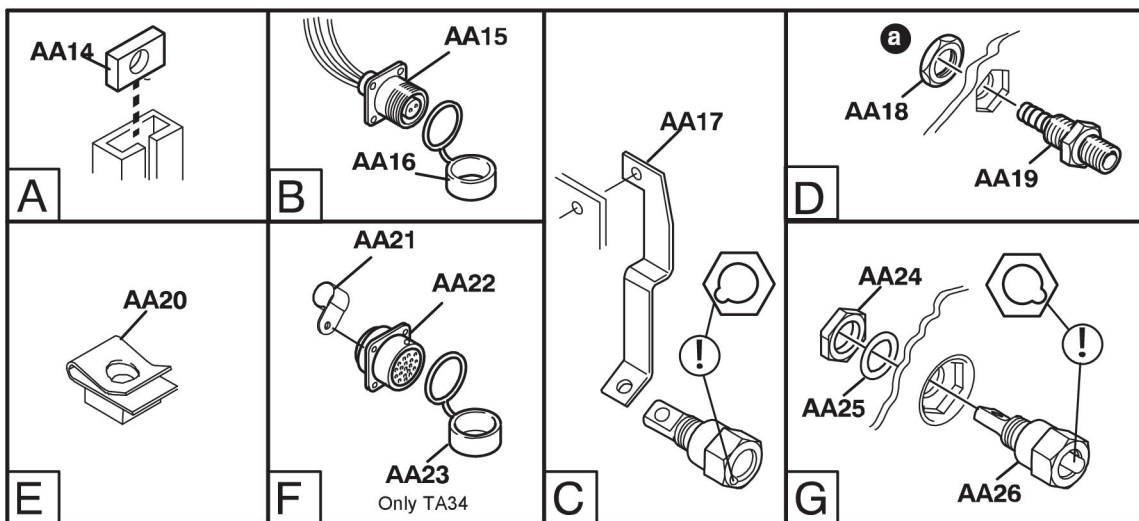
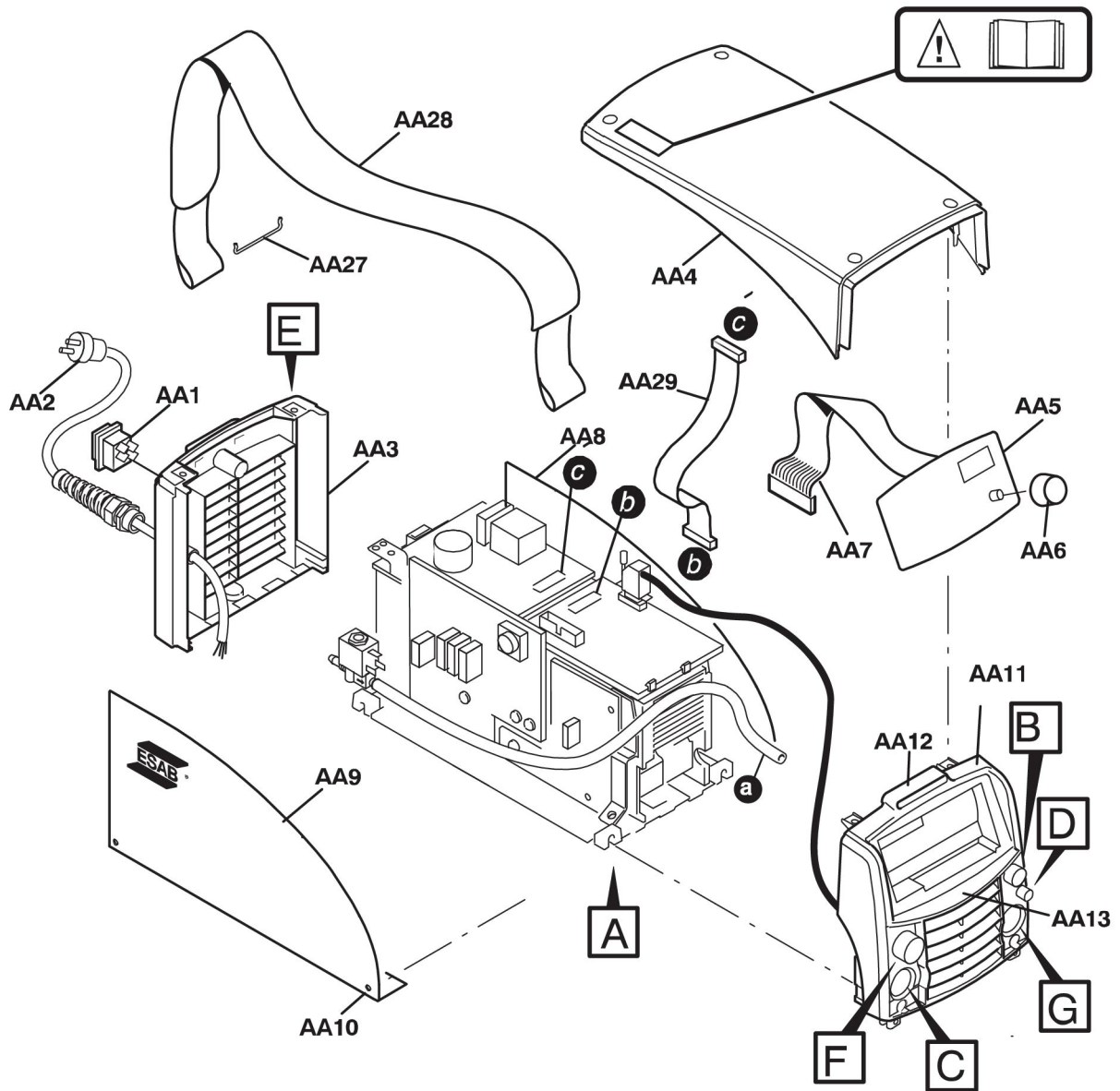


SPARE PARTS

Item	Qty	Ordering no.	Denomination	Notes	C
AA26	2	0160 362 025	Connector OKC 50	Included in item AA51	XS1 XS2
AA27	1	0460 265 001	Strap		
AA28	2	0468 497 001	Holder		
AA29	1	0193 700 702	Ribbon cable		

SPARE PARTS SETS

Item	Ordering no.	Denomination	Notes
AA50	0460 601 880	Mains module	Includes items: AA1 switch, AA2 mains cable with plug, cable clamp and one ferrite rings 2L2.
	0460 601 883	Mains module	Includes items: AA1 switch, AA2 mains cable with plug, cable clamp and one ferrite rings 2L2. Australian version.
AA51	0460 379 881	Front complete TA34	Includes items: AA11, AA15, AA16, AA18, AA19, AA21, AA22, AA23, AA24, AA25, AA26.
	0460 379 882	Front complete TA33	Includes items: AA11 AA15, AA16, AA18, AA19, AA24, AA25, AA26.
AA52	0459 280 892	Cable set	Including item AA15, 2 pole socket 29XS4, 5 pole socket 29XS6, and the wires between them.



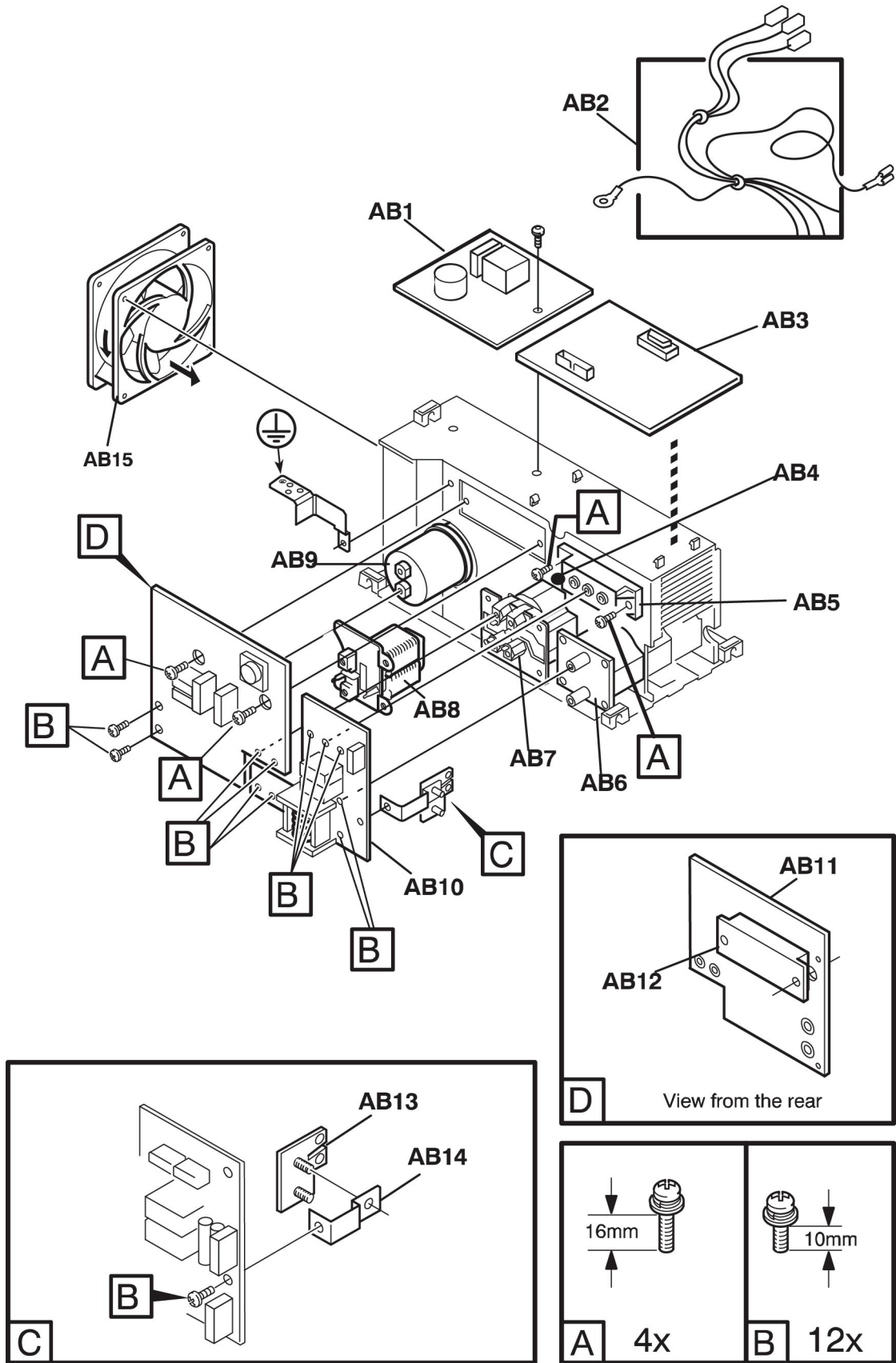
C = component designation in the circuit diagram

Item	Qty TA33	Qty TA44	Ordering no.	Denomination	Notes	C
AB1	1	1	0487 631 880	Power supply board		2AP1
AB2	1	1	0193 700 702	Ribbon cable with connectors	10 pole	20XS3 20XS4
AB3*	-	1	0487 344 885	Control board	Configured for Tig 2200i TA34	20AP1
	1	-	0487 344 884	Control board	Configured for Tig 2200i TA33	20AP1
	1	-	0487 344 889	Control board	Configured for Tig 2200i TA33 VRD active	20AP1
	1	-	0487 344 890	Control board	Configured for Tig 2200i TA34 VRD active	20AP1
AB4	1	1	0468 940 005	Thermal switch	Socket connector 15XS5 included	15ST2
AB5	1	1	-	Diode module	See item AB50	15D1
AB6	1	1	0459 177 001	Inductor		15L1
AB7	1	1	0459 355 881	Transformer	Includes: main transformer, sockets 15XS4, 15XS6, thermal switch 15ST1	15TM1
AB8	1	1	0460 117 001	Inductor	PFC	15L2
AB9	1	1	0194 158 003	Capacitor	1000 uF 450 V DC	15C1
AB10	1	1	0487 060 880	Secondary board		15AP2
AB11	1	1	-	Circuit board	See item AB51	15AP1
AB12	1	1	-	Semiconductor module	See item AB51	
AB13	1	1	0468 030 880	Shunt		15RS1
AB14	1	1	0459 194 001	Busbar		
AB15	1	1	0458 065 002	Fan	24 V DC; with cables and socket 15XS3	15EV1

* Item AB3, control board 20AP1:

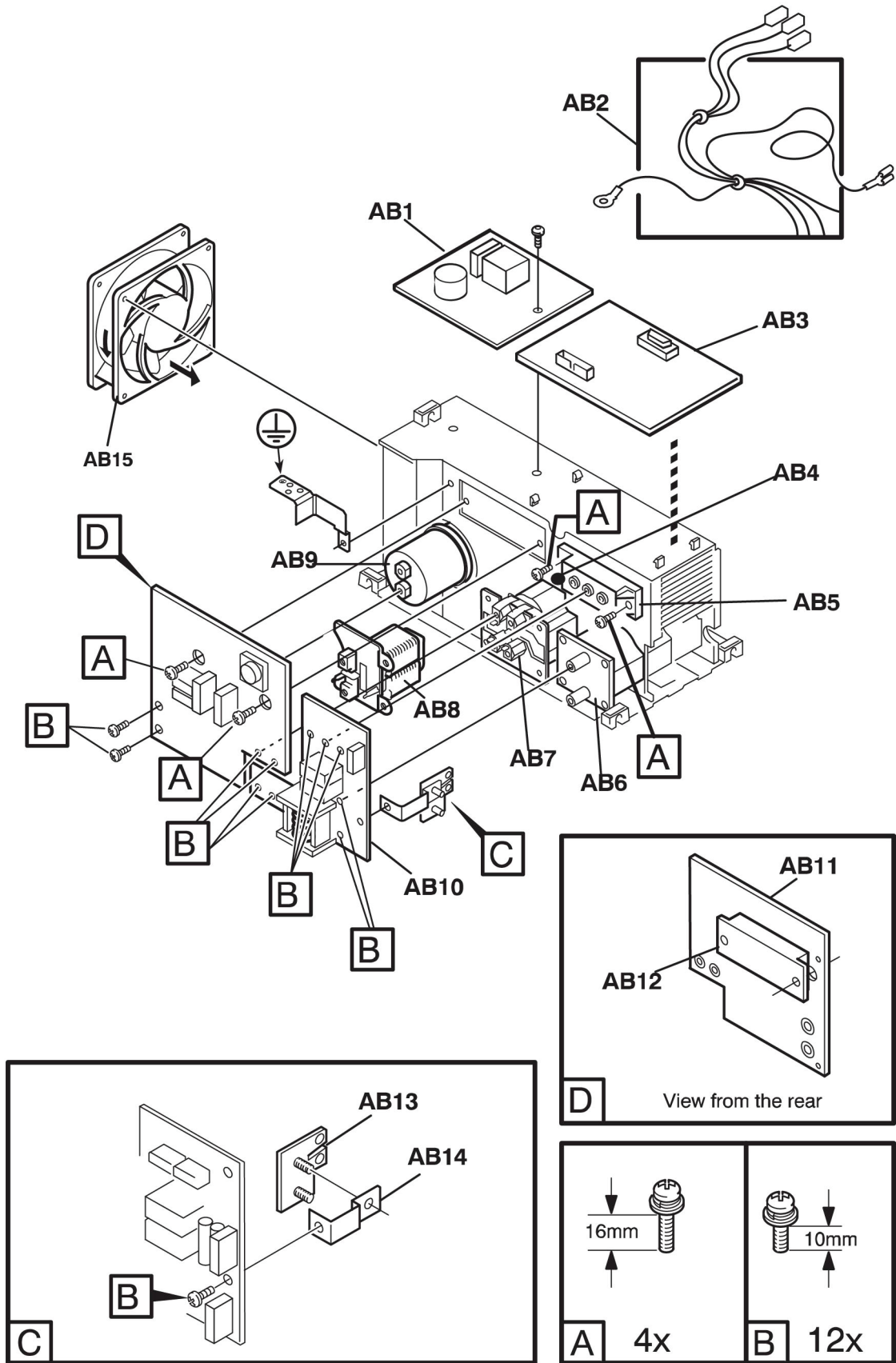
Version TA34 is delivered with the VRD deactivated, the VRD can be activated by ESAT.

For version TA33 there are two options with or without VRD (as this can not be changed by ESAT).



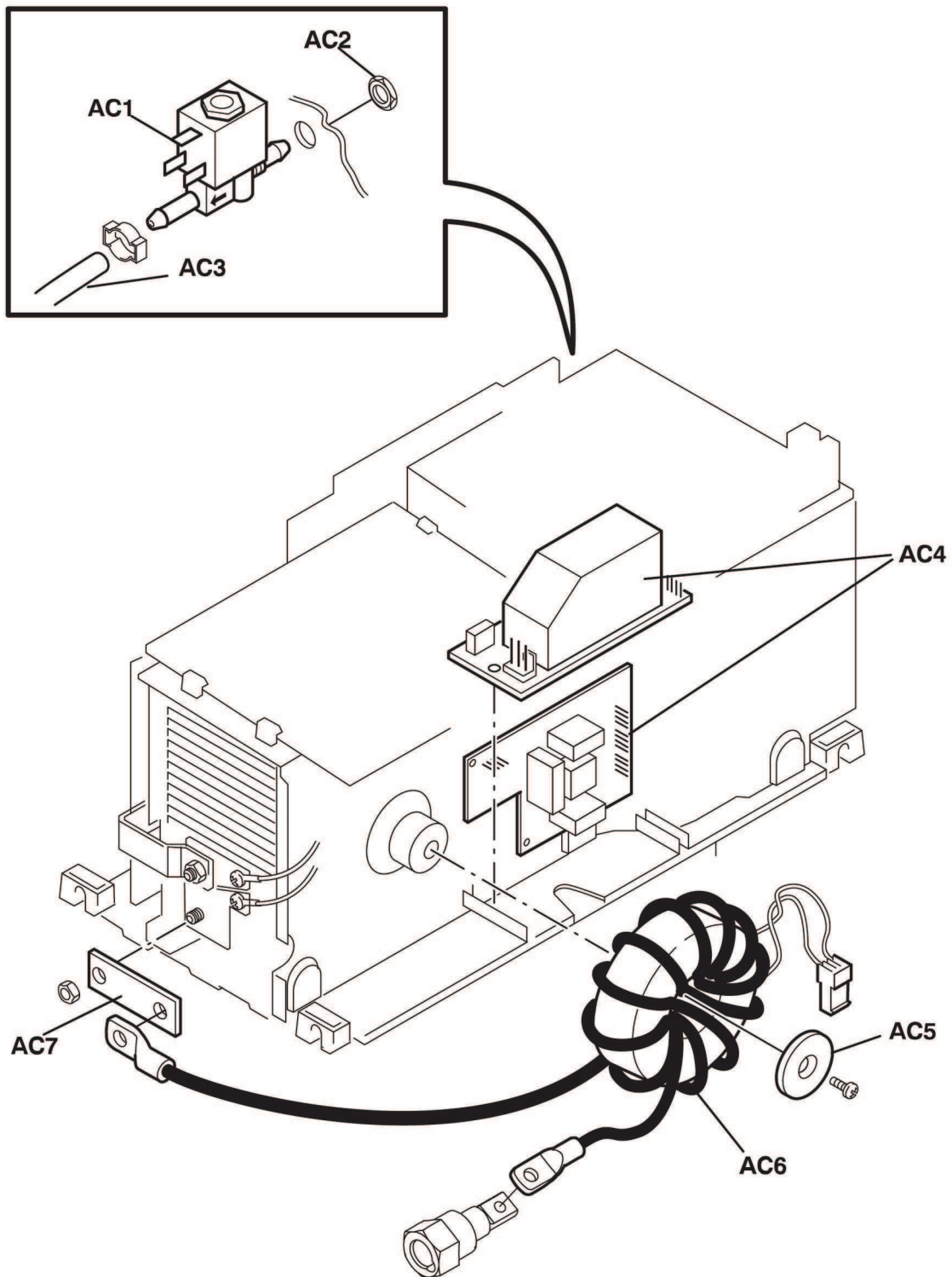
SPARE PARTS SETS

Item	Ordering no.	Denomination	Notes
AB50	0459 385 881	Diode module kit	Includes: item AB5 diode module, screws (type A and B), thermal compound and roller.
AB51	0459 384 884	Power board kit	Includes: item AB11 power board, item AB12 semiconductor module, screws (type A and B), thermal compound and roller.
-	0458 910 002	Roller handle	For the roller in the spare parts sets above.
-	0192 058 101	Thermal compound	

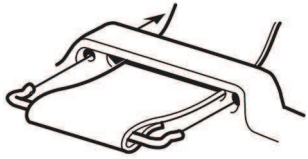


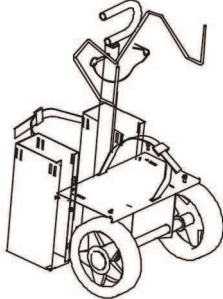



C = component designation in the circuit diagram

Item	Qty	Ordering no.	Denomination	Notes	C
AC1	1	0193 054 005	Solenoid valve	230 V AC	10YV1
AC2	1	-	Nut	ML6M MF10x1	
AC3	1	0456 496 001	Hose	D = 9/5 mm, L = 0.57 metre reinforced PVC	
AC4	1	0487 028 880	Circuit board TIG		10AP1
AC5	1	0459 258 001	Coil bracket		
AC6	1	0460 135 001	HF coil		10TV1 10XS1
AC7	1	0460 427 002	Bar	Negative	



ACCESSORIES


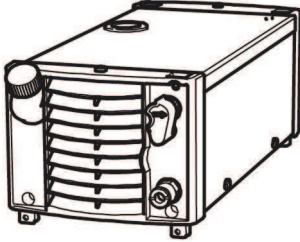
0460 265 001	Strap	
0460 265 002	Cable holder	
0460 265 003	Shoulder strap	
0459 366 885	Trolley for 5-10 litre gasbottle	
0459 366 887	Trolley for 20-50 litre gasbottle	

0460 330 880	Trolley for 20-50 litre gasbottle	
0700 300 538 0700 300 544 0700 300 552 0700 300 555 0700 300 561 0700 300 563	Tig torch TXH 151 4 m TXH 151 8 m TXH 201 4 m TXH 201 8 m TXH 251w 4 m TXH 251w 8 m	
0700 300 624 0700 300 626 0700 300 628 0700 300 630 0700 300 632 0700 300 634	Tig torch TXH 151r 4 m TXH 151r 8 m TXH 201r 4 m TXH 201r 8 m TXH 251wr 4 m TXH 251wr 8 m	
0459 491 910	Remote control adapter RA12 12 pole. For analogue remote controls to CAN based equipment. Only with panel TA34.	
0459 491 880	Remote control unit MTA1 CAN. MIG/MAG: wire feed speed and voltage. MMA: current and arc force. TIG: current, pulse and background current. Only with panel TA34.	

ACCESSORIES

0459 491 882	<p>Remote control unit M1 10Prog CAN. Choice of 10 on/off programs. MIG/MAG: voltage deviation. TIG and MMA: current deviation. Only with panel TA34.</p>	
0459 491 883	<p>Remote control unit AT1 CAN. MMA and TIG: current. Only with panel TA34</p>	
0459 491 884	<p>Remote control unit AT1 CF CAN. MMA and TIG: rough and fine setting of current. Only with panel TA34.</p>	
0700 006 884 0700 006 885	<p>Welding cable kit Return cable kit</p>	
0459 544 880 0459 554 881 0459 554 882 0459 554 883 0459 554 884	<p>Remote cable CAN 4 pole - 12 pole. 5 m 10 m 15 m 25 m 0.25 m Only with panel TA34.</p>	

ACCESSORIES

0460 315 880	Foot pedal TI Foot CAN. Only with panel TA34.	
0460 144 880 0460 509 880	Cooling unit CoolMini Assembly kit	

ESAB subsidiaries and representative offices

Europe

AUSTRIA

ESAB Ges.m.b.H
Vienna-Liesing
Tel: +43 1 888 25 11
Fax: +43 1 888 25 11 85

BELGIUM

S.A. ESAB N.V.
Brussels
Tel: +32 2 745 11 00
Fax: +32 2 745 11 28

BULGARIA

ESAB Kft Representative Office
Sofia
Tel: +359 2 974 42 88
Fax: +359 2 974 42 88

THE CZECH REPUBLIC

ESAB VAMBERK s.r.o.
Vamberk
Tel: +420 2 819 40 885
Fax: +420 2 819 40 120

DENMARK

Aktieselskabet ESAB
Herlev
Tel: +45 36 30 01 11
Fax: +45 36 30 40 03

FINLAND

ESAB Oy
Helsinki
Tel: +358 9 547 761
Fax: +358 9 547 77 71

GREAT BRITAIN

ESAB Group (UK) Ltd
Waltham Cross
Tel: +44 1992 76 85 15
Fax: +44 1992 71 58 03

ESAB Automation Ltd
Andover
Tel: +44 1264 33 22 33
Fax: +44 1264 33 20 74

FRANCE

ESAB France S.A.
Cergy Pontoise
Tel: +33 1 30 75 55 00
Fax: +33 1 30 75 55 24

GERMANY

ESAB GmbH
Solingen
Tel: +49 212 298 0
Fax: +49 212 298 218

HUNGARY

ESAB Kft
Budapest
Tel: +36 1 20 44 182
Fax: +36 1 20 44 186

ITALY

ESAB Saldatura S.p.A.
Bareggio (Mi)
Tel: +39 02 97 96 8.1
Fax: +39 02 97 96 87 01

THE NETHERLANDS

ESAB Nederland B.V.
Amersfoort
Tel: +31 33 422 35 55
Fax: +31 33 422 35 44

NORWAY

AS ESAB
Larvik
Tel: +47 33 12 10 00
Fax: +47 33 11 52 03

POLAND

ESAB Sp.zo.o.
Katowice
Tel: +48 32 351 11 00
Fax: +48 32 351 11 20

PORTUGAL

ESAB Lda
Lisbon
Tel: +351 8 310 960
Fax: +351 1 859 1277

ROMANIA

ESAB Romania Trading SRL
Bucharest
Tel: +40 316 900 600
Fax: +40 316 900 601

RUSSIA

LLC ESAB
Moscow
Tel: +7 (495) 663 20 08
Fax: +7 (495) 663 20 09

SLOVAKIA

ESAB Slovakia s.r.o.
Bratislava
Tel: +421 7 44 88 24 26
Fax: +421 7 44 88 87 41

SPAIN

ESAB Ibérica S.A.
Alcalá de Henares (MADRID)
Tel: +34 91 878 3600
Fax: +34 91 802 3461

SWEDEN

ESAB Sverige AB
Gothenburg
Tel: +46 31 50 95 00
Fax: +46 31 50 92 22

ESAB International AB
Gothenburg
Tel: +46 31 50 90 00
Fax: +46 31 50 93 60

SWITZERLAND

ESAB AG
Dietikon
Tel: +41 1 741 25 25
Fax: +41 1 740 30 55

UKRAINE

ESAB Ukraine LLC
Kiev
Tel: +38 (044) 501 23 24
Fax: +38 (044) 575 21 88

North and South America

ARGENTINA

CONARCO
Buenos Aires
Tel: +54 11 4 753 4039
Fax: +54 11 4 753 6313

BRAZIL

ESAB S.A.
Contagem-MG
Tel: +55 31 2191 4333
Fax: +55 31 2191 4440

CANADA

ESAB Group Canada Inc.
Mississauga, Ontario
Tel: +1 905 670 02 20
Fax: +1 905 670 48 79

MEXICO

ESAB Mexico S.A.
Monterrey
Tel: +52 8 350 5959
Fax: +52 8 350 7554

USA

ESAB Welding & Cutting
Products
Florence, SC
Tel: +1 843 669 44 11
Fax: +1 843 664 57 48

Asia/Pacific

AUSTRALIA

ESAB South Pacific
Archerfield BC QLD 4108
Tel: +61 1300 372 228
Fax: +61 7 3711 2328

CHINA

Shanghai ESAB A/P
Shanghai
Tel: +86 21 2326 3000
Fax: +86 21 6566 6622

INDIA

ESAB India Ltd
Calcutta
Tel: +91 33 478 45 17
Fax: +91 33 468 18 80

INDONESIA

P.T. ESABindo Pratama
Jakarta
Tel: +62 21 460 0188
Fax: +62 21 461 2929

JAPAN

ESAB Japan
Tokyo
Tel: +81 45 670 7073
Fax: +81 45 670 7001

MALAYSIA

ESAB (Malaysia) Snd Bhd
USJ
Tel: +603 8023 7835
Fax: +603 8023 0225

SINGAPORE

ESAB Asia/Pacific Pte Ltd
Singapore
Tel: +65 6861 43 22
Fax: +65 6861 31 95

SOUTH KOREA

ESAB SeAH Corporation
Kyungnam
Tel: +82 55 269 8170
Fax: +82 55 289 8864

UNITED ARAB EMIRATES

ESAB Middle East FZE
Dubai
Tel: +971 4 887 21 11
Fax: +971 4 887 22 63

Africa

EGYPT

ESAB Egypt
Dokki-Cairo
Tel: +20 2 390 96 69
Fax: +20 2 393 32 13

SOUTH AFRICA

ESAB Africa Welding & Cutting
Ltd
Durbanvill 7570 - Cape Town
Tel: +27 (0)21 975 8924

Distributors

For addresses and phone numbers to our distributors in other countries, please visit our home page

www.esab.com



www.esab.com

